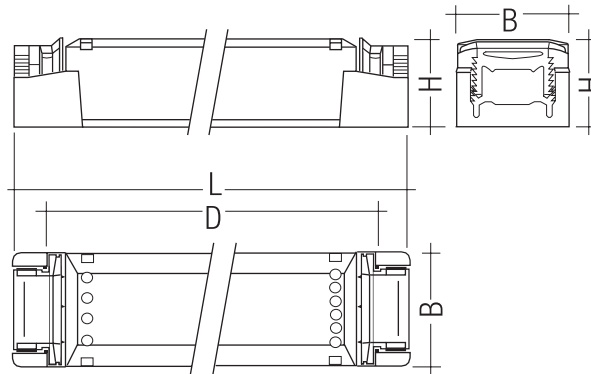




TE 0105 one4all sc
Output 20 – 105 VA

Product description

- Independent device with integrated cable clamp and terminal cover
- Dimming range 1 to 100 %
- For emergency lighting systems as per EN 50172
- Short-circuit shutdown feature with automatic restart
- With soft start
- Noise-free precise control via one4all-interface DALI, DSI, switchDIM or corridorFUNCTION
- Fault reporting and programmable operating parameters in DALI and DSI mode
- Intelligent Temperature Guard (overtemperature protection)
- Rapid installation of cable clamp and terminal cover, no tool required
- 6-pole terminal on secondary side
- Cage-type screw terminal
- Practical individual packaging with assembly instructions
- Not suitable for operation with MR16 LED bulbs



Technical data

Mains voltage range	220 – 240 V
DC voltage range	176 – 280 V
Mains frequency	0 / 50 / 60 Hz
Dimming	DSI, DALI, switchDIM - single momentary-action switch
Soft-start	yes
λ	> 0.98
Efficiency	> 95 %
Stand-by power	< 0.5 W
Max. cable length secondary	2 m
Protection class	II
Type of protection	IP20

Ordering data

Type	Article number	Packaging, carton	Packaging, pallet	Weight per pcs.
TE 0105 one4all sc	86459198	20 pieces	800 pieces	0.18 kg



Standards, page 2

Wiring diagrams and installation examples, page 2

Specific technical data

Type	Article number	Dimensions L x W x H	Hole spacing D	Lamp wattage	DC lamp output	Current at 50 Hz 230 V	Secondary voltage [Ⓢ]	Operating frequency	Ambient temperature t _a	t _c point max.	Secondary terminal
TE 0105 one4all sc	86459198	167 x 42 31 mm	143 – 148 mm	20 – 105 VA	70 %	0.43 A	11.5 V	33 kHz	-25 ... +55 °C	90 °C	6-pin

[Ⓢ] Constant output voltage.

Standards

- EN 50172
- EN 55015
- EN 61000-3-2
- EN 61047
- EN 61347-2-2
- EN 61547

Dimming

Dimming range 1 % to 100 %
Digital control with:

- DSI signal: 8 bit Manchester Code
Maximum speed 1 % to 100 % in 1.4 s
 - DALI signal: 16 bit Manchester Code
Maximum speed 1 % to 100 % in < 0.7 s
- Programmable parameters:
Minimum dimming level
Maximum dimming level
Programmable range
 $1\% \leq \text{MIN} \leq \text{MAX} \leq 100\%$
Default minimum = 1 %
Default maximum = 100 %

Dimming curve is adapted to eye sensitivity.

Control input (DA/D1/D2)

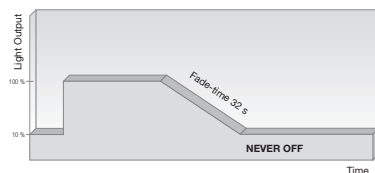
Digital DALI/DSI signal or switchDIM can be wired on the same terminals DA/D1/D2.

Digital signal DALI/DSI

The control input is non-polar and protected against accidental connection with a mains voltage up to 264 V. The control signal is not SELV. Control cable should be installed in accordance to the requirements of low voltage installations. Different functions depending on control modules.

corridorFUNCTION

In the default delivery status the corridorFUNCTION is in the standard profile „never off“.



To activate the corridorFUNCTION without using software a voltage of 230 V simply has to be applied for five minutes at the switchDIM connection. The unit will then switch automatically to the corridorFUNCTION.

Note: If the corridorFUNCTION is wrongly activated in a switchDIM system (for example a switch is used instead of pushbutton), there is the option of installing a pushbutton and deactivating the corridorFUNCTION mode by five short pushes of the button within three seconds.

To program the corridorFUNCTION by means of software a DALI-USB interface is needed in combination with a DALI PS. The software can be either the configTOOL or the corridorFUNCTION CONFIGURATOR. For further information (e.g. the amortisation calculator) go to www.corridorfunction.com.

switchDIM

Integrated switchDIM function allows a direct connection of a push to make switch for dimming and switching.

Brief push (50–600 ms) switches transformers ON and OFF. The transformers switch-ON at light level set at switch-OFF.

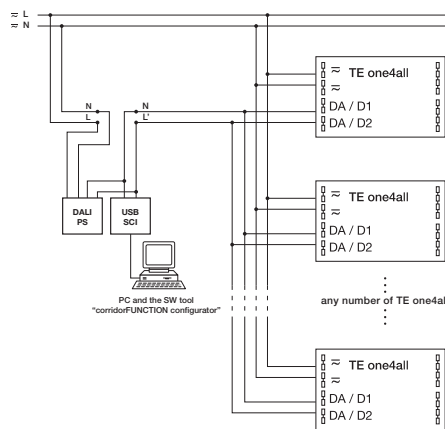
When the push to make switch is held, TE one4all are dimmed. After repush the TE one4all is dimmed in the opposite direction. In installations with TE one4all with different dimming levels or opposite dimming directions (e.g. after a system extension), all TE one4all can be synchronized to 50 % dimming level by a 10 s push. The dimming direction will be “down” for the next push.

switchDIM and corridorFUNCTION are very simple tools for controlling ballasts with conventional momentary-action switches or motion sensors. To ensure correct operation a sinusoidal mains voltage with a frequency of 50 Hz or 60 Hz is required at the control input.

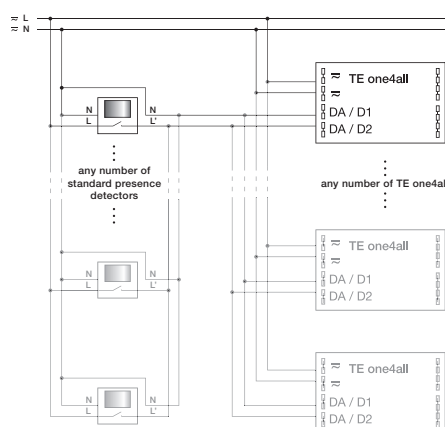
Special attention must be paid to achieving clear zero crossings. Serious mains faults may impair the operation of switchDIM and corridorFUNCTION.

Programming

With appropriate software and a USB interface different functions can be activated and various parameters can be configured. All that is needed is a DALI USB/DALI PS and the software.



Wiring diagramm for programming



Wiring diagramm for corridorFUNCTION

configTOOL

Full version for programming all the functions and parameters.

corridorFUNCTION CONFIGURATOR

For activating and deactivating the corridorFUNCTION and for project-specific programming.

Light output level in DC operation

Programmable from 1 % to 70 %
Programming by extended DSI signal (16 bit) via eDSI.

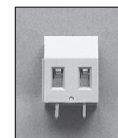
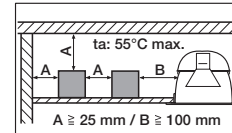
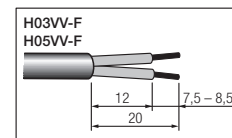
Default value is 70 %

In DC operation dimming is not possible.

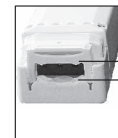
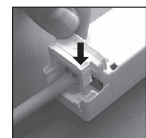
Error feedback

- DSI signal: lamp failure (open circuit, short-circuit)
- DALI signal: lamp failure (open circuit, short-circuit) thermal switch off

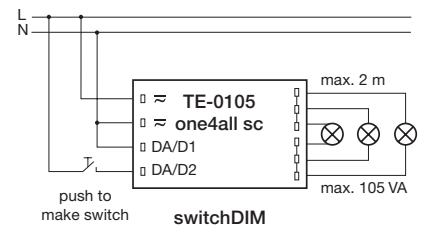
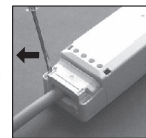
Installation instructions



max.:
1 x 2,5 mm
2 x 1,5 mm

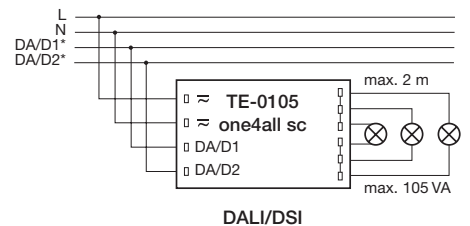


3–10 mm



push to make switch

switchDIM



* digital signal DALI or DSI

Loading of automatic circuit breakers (B, C, K):

Automatic circuit breaker type	10 A	13 A	16 A	20 A
Installation Ø	1.5 mm ²	1.5 mm ²	1.5 mm ²	2.5 mm ²
TE-0105 one4all sc	20	26	32	40